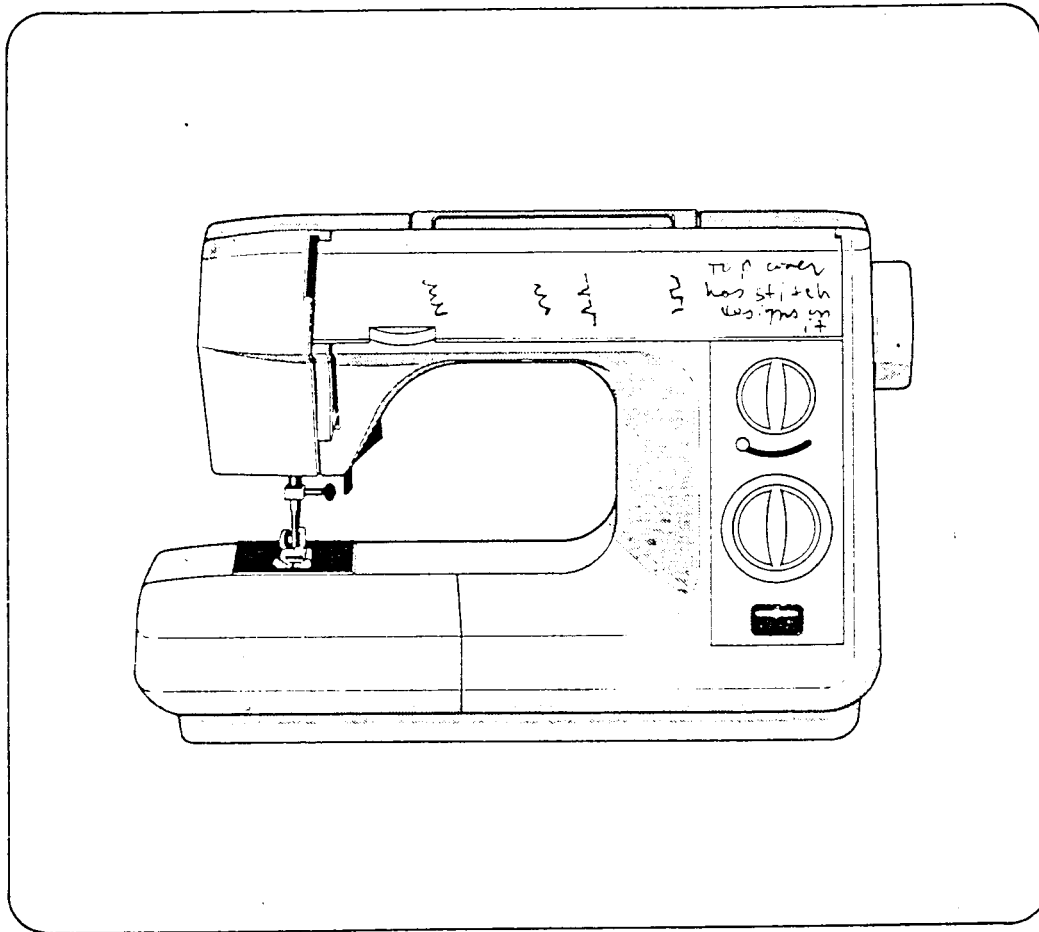


**SINGER**  
**3207/3214**

173745320

# Sewing Machines Parts Catalogue and Service Manual



**Model 3207/3214**

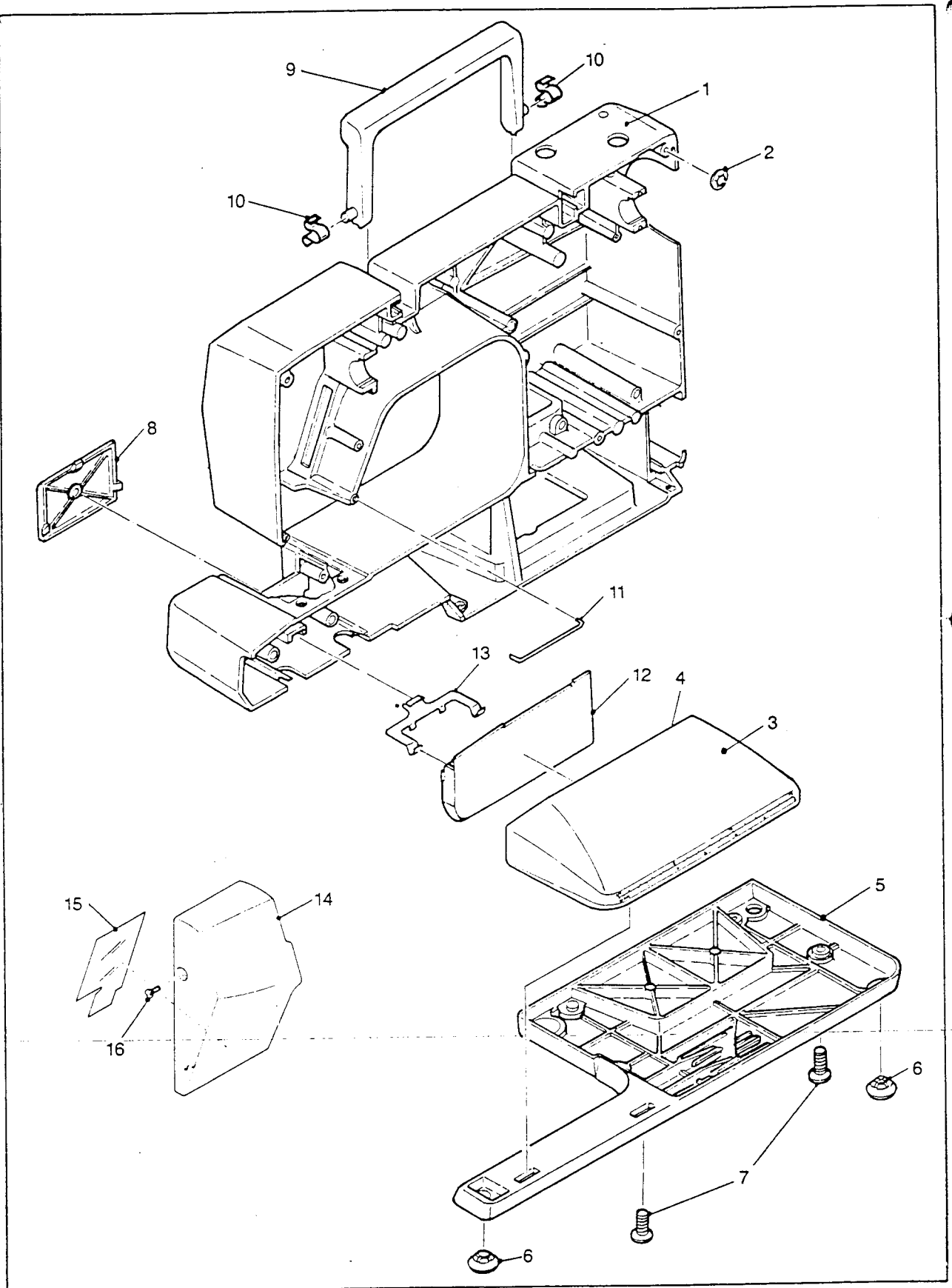
## HOW TO USE THIS PARTS CATALOGUE

1. This parts catalogue has been made up on the basis of AUGUST 1989.
2. The parts with no referring number is not available for the order.
3. The order placed with an index number is not acceptable. Be sure to place an order with the reference number and parts name.  
For example: 1351009-111 Instruction Book
4. Specific parts is divided into each destination in some cases particularly for electric parts, and when you place an order, check carefully the specifications of the parts you require.
5. The parts are subject to change without previous notice. However, the description of the modification will be notified according to the request. In such a case, place an order in accordance with the description notified to you.

## CONTENTS

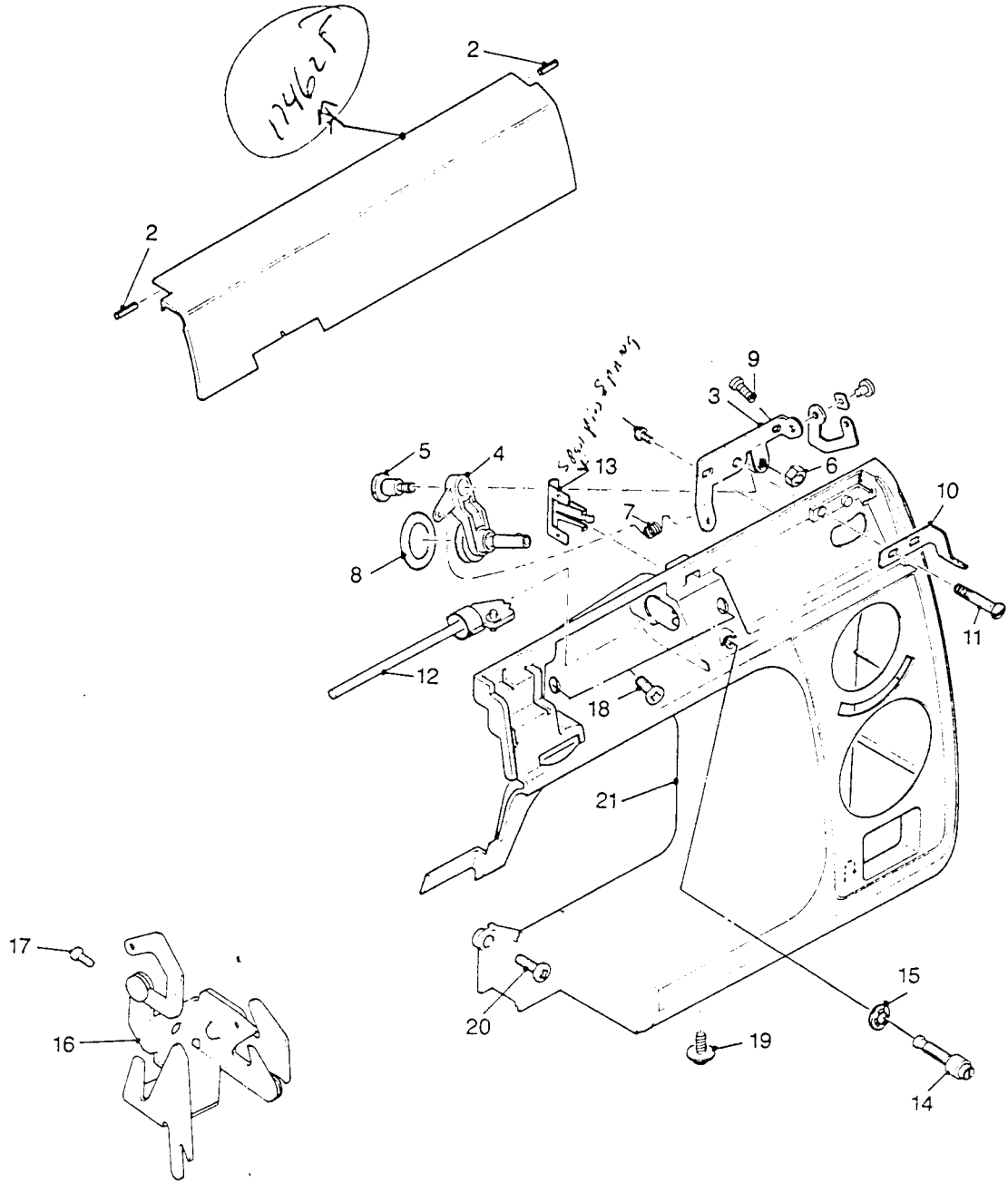
1. Machine Body Component Parts .....	1
2. Upper Shaft, Feed Regulating Parts .....	5
3. Presser Bar Parts.....	7
4. Needle Bar, Crank Gear Parts.....	9
5. Feed Regulating Shuttle Race Parts.....	11
6. Patten Cam Unit, Tension Parts.....	13
7. Specific Parts.....	15
8. Accessories .....	19
9. Service Manual.....	21

# 1. Machine Body Component Parts.—①



INDEX NO.	PART NO.	REF NO.	PART NAME	QTY	MODEL NO.		NOTE		
1.	174612	1350011-111	Arm - <i>has writing for on it for stitches</i>	1			○	○	
2.	175169	40303	Push Nut	1			○	○	
③	174618	1350001-164	Assistance Bed	1			○	○	
4.	174620	1350001-165	Assistance Bed Cover	1			○	○	
5.	174621	1350001-171	Base Plate	1			○	○	
6.	174616	150001-152A	Rubber Foot	4			○	○	
7.	175115	10957	Set Screw For No. 5	4			○	○	
8.	174624	1350001-175	Back Cover	1			○	○	
9.	174634	1350001-373	Handle	1			○	○	
10.	174635	1350001-374	Handle Holder Spring	2			○	○	
11.	174656	1350002-148C	Thread Guide C	1			○	○	
12.	174617	1350001-163	Hook Cover	1			○	○	
13.	174636	1350001-382	Hook Cover Spring	1			○	○	
14.	174627	1350001-321	Face Cover	1			○	○	
15.	174629	1350001-323	Face Cover Seat	1			○	○	
16.	175127	11021	Set Screw For No. 14	1			○	○	

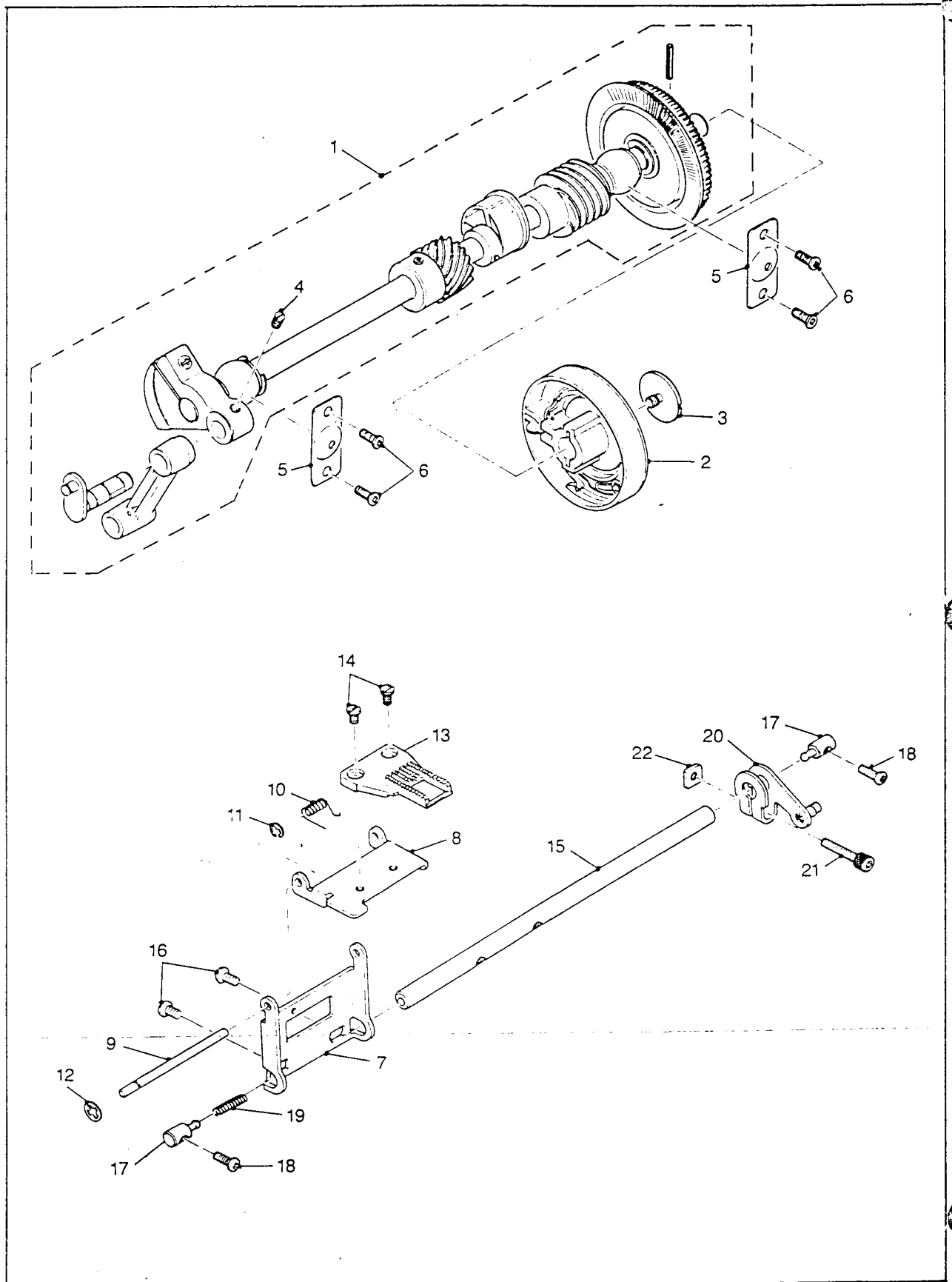
## 2. Machine Body Component Parts—②



INDEX NO.	PART NO.	REF NO.	PART NAME	QTY	MODEL NO.		NOTE	
1.	174625	1350031-315	Front Cover	1			○	
	174626	1350041-315	Front Cover	1			○	
2.	175181	50403-A	Spring Pin	2			○	○
3.	174695	1350002-620	Bobbin Winder Plate	1			○	○
4.	174693	1350002-610	Bobbin Winder Frame					
			Ass'y	1			○	○
5.	174697	1350002-623	Bobbin Winder Spindle	1			○	○
6.	175151	30105	Nut	1			○	○
7.	174700	1350002-644-C	Bobbin Winder Spring	1			○	○
8.	174699	710002-632	Rubber Ring	1			○	○
9.	175128	11203	Set Screw For No. 3	2			○	○
10.	174698	1350002-626	Bobbin Winder Stopper	1			○	○
11.	175107	10933-A	Set Screw For No. 10	1			○	○
12.	174658	1350002-181	Spool Pin	1			○	○
13.	174665	1350002-191	Spool Pin Spring	1			○	○
14.	14702	1350002-60	Thread Guide Ass'y	1			○	○
15.	175168	40302	Push Nut	1			○	○
16.	174657	1350002-150	Thread Guide (A) Ass'y	1			○	○
17.	175128	11203	Set Screw For No. 16	1			○	○
18.	175117	10964	Set Screw	2			○	○
19.	175122	10979	Set Screw	1			○	○
20.	175111	10942-B	Set Screw	1			○	○
21.	174622	1350001-174	Front Panel	1			○	○

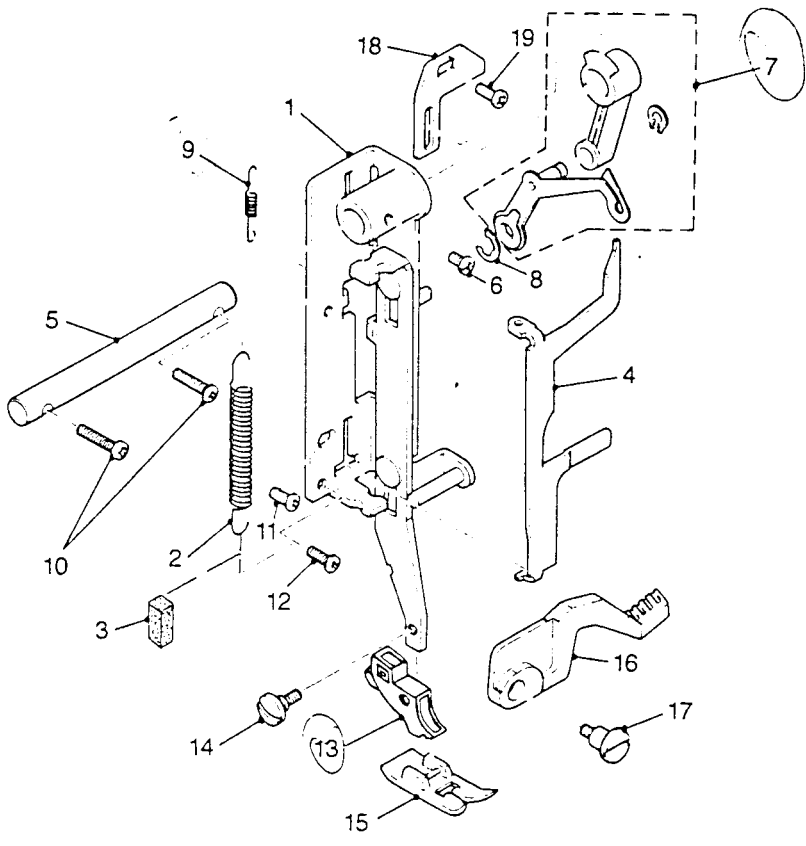


## 2. Upper Shaft, Feed Regulating Parts



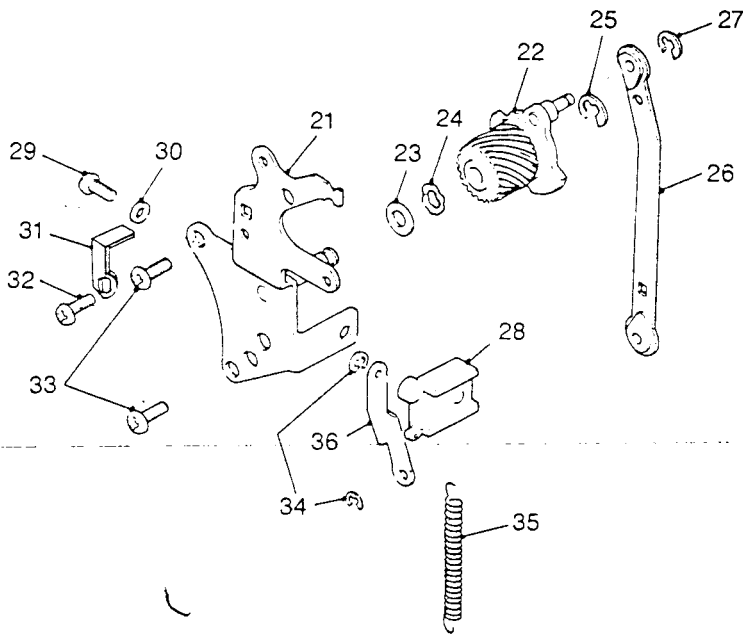
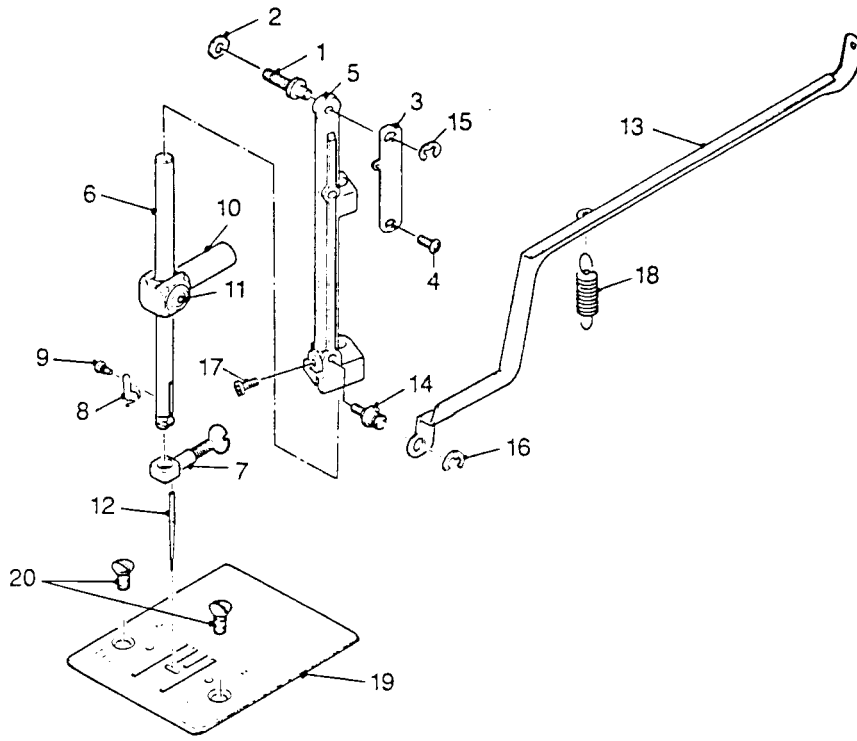


### 3. Presser Bar Parts



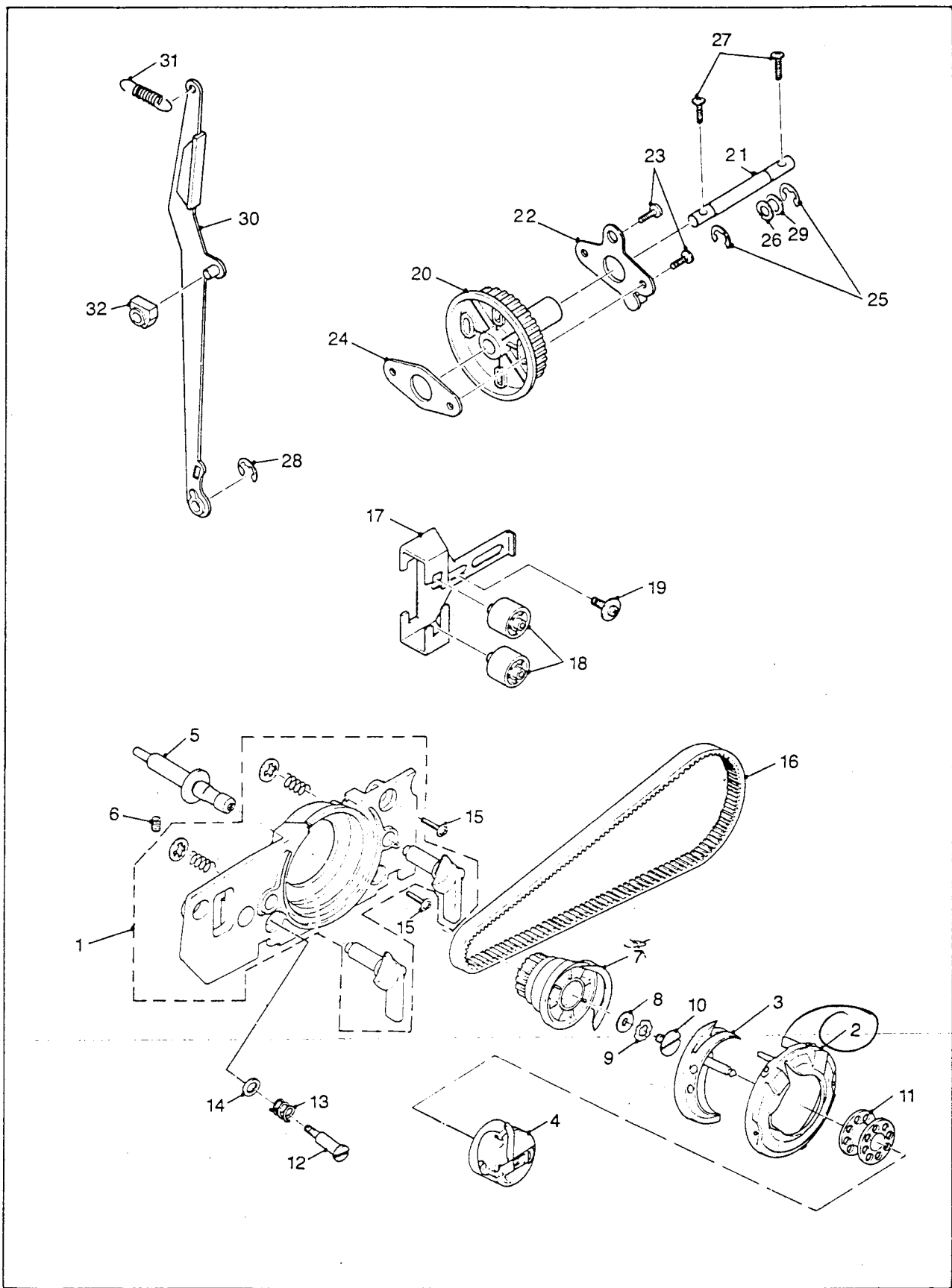
INDEX NO.	PART NO.	REF NO.	PART NAME	QTY	MODEL NO.		NOTE	
1.	174667	1350002-308	Presser Bar Plate Ass'y	1			○ ○	
2.	174679	1350002-362	Presser Bar Spring	1			○ ○	
3.	174704	1250002-118	Form	1			○ ○	
4.	174683	1350002-392	Tension Release Ass'y	1			○ ○	
5.	174686	1350002-414	Lever Spindle	1			○ ○	
6.	175110	10941	Set Screw For No. 5	1			○ ○	
7.	174685	1350002-401	Take-Up Lever Ass'y	1			○ ○	
8.	175167	40203	C-Ring	1			○ ○	
9.	174684	1350002-393	Tension Release Spring	1			○ ○	
10.	175116	10958	Set Screw	2			○ ○	
11.	175132	10991	Set Screw	1			○ ○	
12.	175124	10982	Set Screw	1			○ ○	
13.	174688	950002-423	Presser Foot Holder	1			○ ○	
14.	174655	710002-142	Set Screw For No. 13	1			○ ○	
15.	174676	150012-352	Zigzag Sewing Foot	1			○ ○	
16.	174680	950002-366	Presser Bar Lifter	1			○ ○	
17.	174681	1350002-367	Set Screw For No. 16	1			○ ○	
18.	174687	1350002-419	Take-Up Guide	1			○ ○	
19.	175114	10955	Set Screw For No. 18	1			○ ○	

# 4. Needle Bar, Crank Gear Parts



INDEX NO.	PART NO.	REF NO.	PART NAME	QTY	MODEL NO.		NOTE		
1.	174672	1350002-332	Needle Bar Support Shaft	1			○	○	
2.	175154	30403	Adjustable Nut	1			○	○	
3.	174670	1380002-326	Needle Bar Support Spring	1			○	○	
4.	175110	10941	Set Screw For No. 3	1			○	○	
5.	174671	1380002-331	Needle Bar Support Ass'y	1			○	○	
6.	174668	850002-311	Needle Bar	1			○	○	
7.	174674	350002-343A	Needle Clamp Ass'y	1			○	○	
8.	174673	1350002-341	Needle Bar Thread Guide	1			○	○	
9.	175126	11003	Set Screw For No. C	1			○	○	
10.	174669	1350002-320	Needle Bar Crank Ass'y	1			○	○	
11.	175101	10124	Set Screw For No. 6	1			○	○	
12.	174691	1350002-482	Needle #14	1			○	○	
13.	174853	1350005-511	Connecting Rod	1			○	○	
14.	174855	150005-512	Eccentric Pin	1			○	○	
15.	175162	40102	E-Ring	1			○	○	
16.	175164	40104-A	E-Ring	1			○	○	
17.	175111	10942	Set Screw For No. 14	1			○	○	
18.	174856	1350005-513	Connecting Rod Spring	1			○	○	
19.	174637	1350011-511	Needle Plate	1			○	○	
20.	175103	10401	Set Screw For No. 19	2			○	○	
21.	174762	1350003-305	Gear Plate Ass'y	1			○	○	
22.	174764	1350003-383	Crank Gear Ass'y	1			○	○	
23.	175185	60145	Washer	1			○	○	
24.	175187	60408	Wave Washer	2			○	○	
25.	175163	40103	E-Ring	1			○	○	
26.	174761	1350003-330	Crank Rod Ass'y	1			○	○	
27.	175164	40104-A	E-Ring	1			○	○	
28.	174801	1350004-110	Feed Regulator Ass'y	1			○	○	
29.	175110	10941-B	Set Screw For No. 28	1			○	○	
30.	175184	60141	Washer	1			○	○	
31.	174756	1350003-123	Stopper	1			○	○	
32.	175125	10983	Set Screw For No. 31	1			○	○	
33.	175114	10955	Set Screw For No. 21	2			○	○	
34.	175165	40109	E-Ring	2			○	○	
35.	174803	1350004-123	Feed Regulator Spring	1			○	○	
36.	174907	1350006-631	Reverse Sewing Rod	1			○	○	

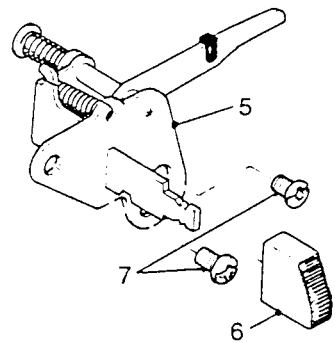
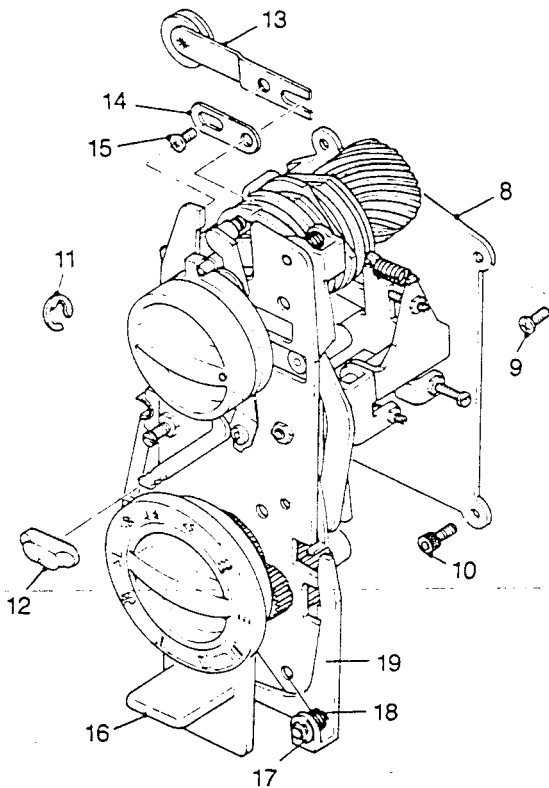
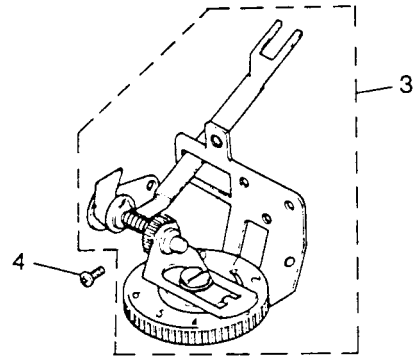
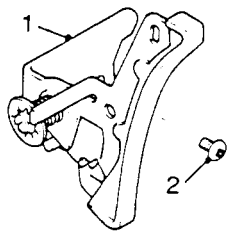
# 5. Feed Regulating, Shuttle Race Parts



INDEX NO.	PART NO.	REF NO.	PART NAME	QTY	MODEL NO.			NOTE
						3207	3214	
1.	174751	1350003-051	Shuttle race Ass'y	1		0	0	
2.	174757	1350003-150	Shuttle Race Cover	1		0	0	
3.	174770	110003-532	Shuttle Hook	1		0	0	
4.	174771	710003-560	Bobbin Case	1		0	0	
5.	174772	1350003-577	Driver Shaft	1		0	0	
6.	175102	10125	Set Screw For No. 5	1		0	0	
7.	174752	1350003-053	Shuttle Driver	1		0	0	
8.	175189	60144	Flat Washer	1		0	0	
9.	175188	60409	Wave Washer	1		0	0	
10.	175118	10968	Set Screw For No. 7	1		0	0	
11.	174769	710003-520	Bobbin	1		0	0	
12.	175130	11529	Set Screw For No. 1	1		0	0	
13.	174773	1350003-578	Set Screw For No. 1	1		0	0	
14.	175190	60149	Spring Washer	1		0	0	
15.	175123	10981	Set Screw For No. 1	2		0	0	
16.	174767	1350003-395	Shuttle Race Belt	1		0	0	
17.	174758	1350003-191	Tension Pulley Plate	1		0	0	
18.	174759	1350003-192	Tension Pulley	2		0	0	
19.	175121	10978	Set Screw For No. 17	1		0	0	
20.	174766	1350003-392	Crank Gear (L)	1		0	0	
21.	174765	1350003-391	Crank Gear Shaft	1		0	0	
22.	174760	1350003-320	Drive Crank Plate Ass'y	1		0	0	
23.	175117	10964	Set Screw For No. 22	2		0	0	
24.	174768	1350003-398	Crank Holder Plate	1		0	0	
25.	175161	40101	E-Ring	2		0	0	
26.	175187	60408	Wave Washer	1		0	0	
27.	175116	10958	Set Screw For No. 24	2		0	0	
28.	175164	40104-A	E-Ring	1		0	0	
29.	175183	50119	Spring Washer	1		0	0	
30.	174804	1350004-140	Feed Rod Ass'y	1		0	0	
31.	174805	1350004-142	Feed Rod Spring	1		0	0	
32.	174802	1150004-122	Sliding Block	1		0	0	



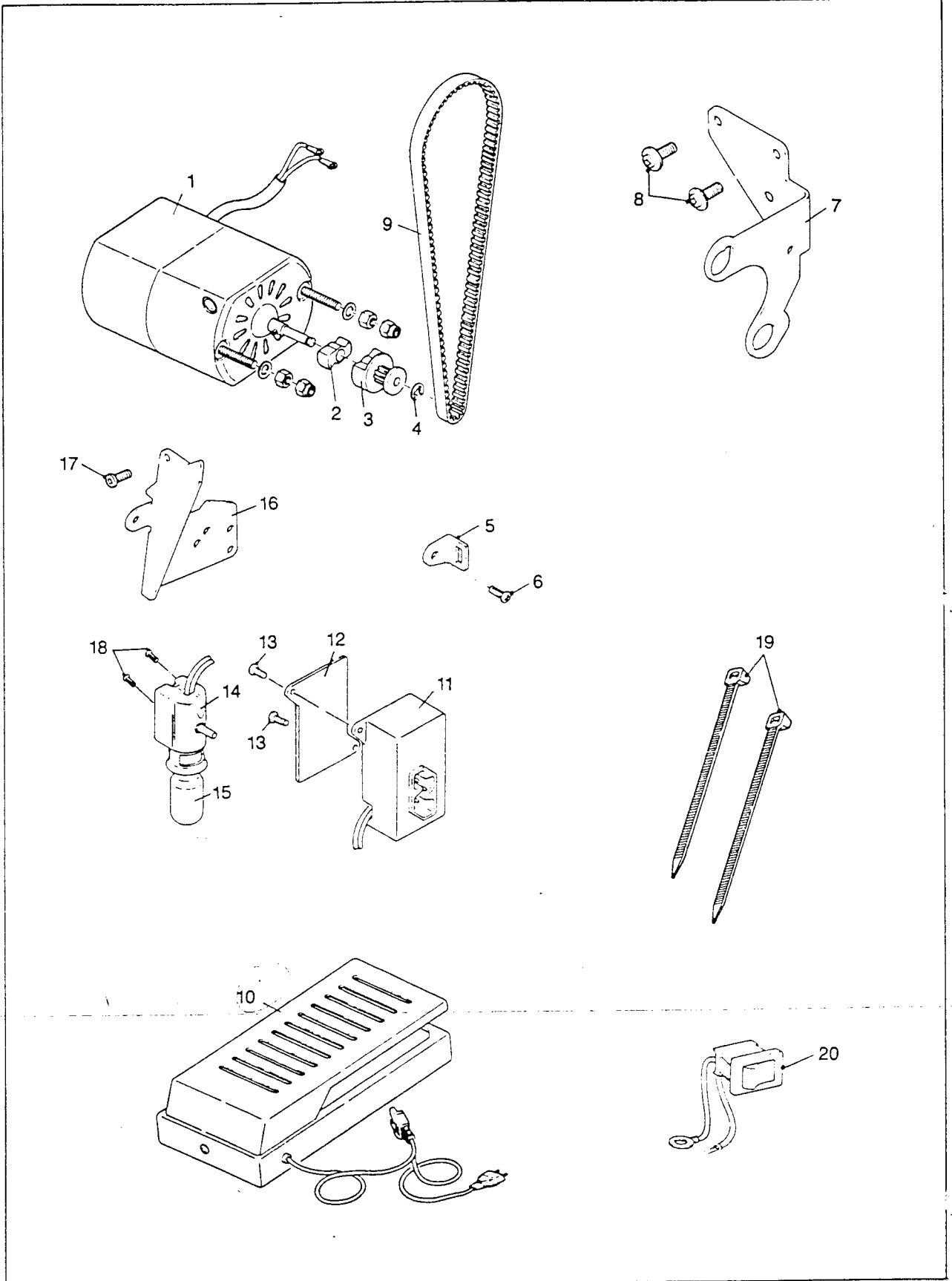
## 6. Patten Cam Unit, Tension Parts



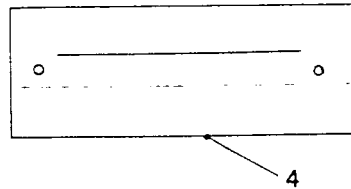
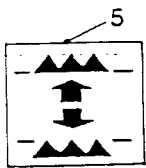
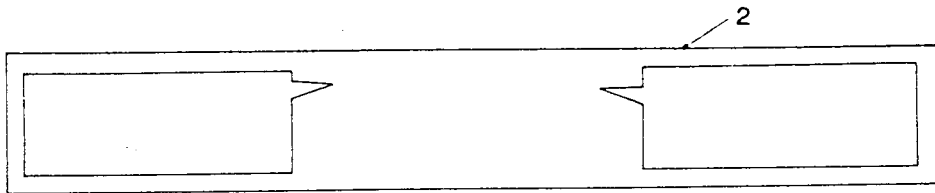
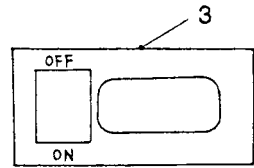
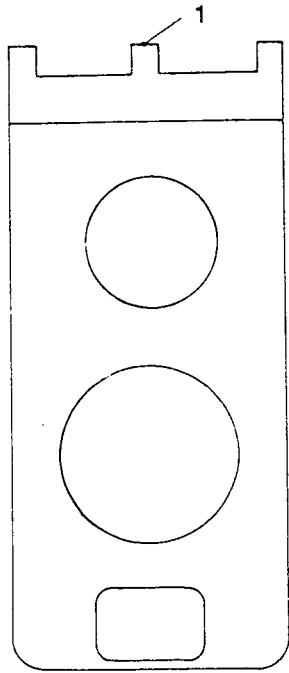
INDEX NO.	PART NO.	REF NO.	PART NAME	QTY	MODEL NO.		NOTE		
								3207	3214
1.	174653	1350002-140	Thread Guide Plate Ass'y	1			○	○	
2.	175121	10978	Set Screw For No. 1	1			○	○	
3.	174651	1350002-101	Tension Plate Ass'y	1			○	○	
4.	175114	10955	Set Screw For No. 6	1			○	○	
5.	174819	1350004-750	Drop Regulating Lever Plate	1			○	○	
6.	174821	950004-761	Drop Regulating Lever Knob	1			○	○	
7.	175114	10955	Set Screw For No. 8	2			○	○	
8.	174903	1350016-100	Pattern Cam Unit	1				○	
	174904	1361006-100	Pattern Cam Unit	1			○		
9.	175111	10942-B	Set Screw For No. 11	2			○	○	
10.	175142	20203	Set Screw For No. 11	2			○	○	
11.	175166	40110	E-Ring	1			○	○	
12.	174956	1350007-524	Zig Zag Width Lever Knob	1			○	○	
13.	174852	1350005-186	Zig Zag Width Regulator Rod	1			○	○	
14.	174851	950005-182	Zig Zag Width Regulator Rod (B)	1			○	○	
15.	175105	10915	Set Screw For No. 16	1			○	○	
16.	174806	1350004-361	Knob	1			○	○	
17.	175164	40104-A	E-Ring	1			○	○	
18.	174808	1350004-364	Spring	1			○	○	
19.	174807	1350004-362	Lever	1			○	○	



# 7. Specific Parts — ①

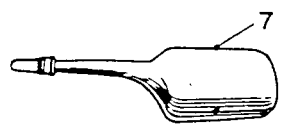
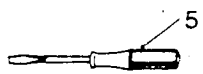
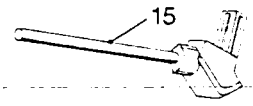
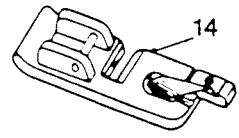
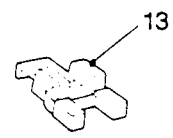
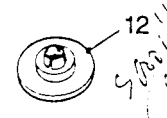
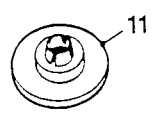
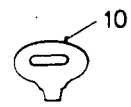
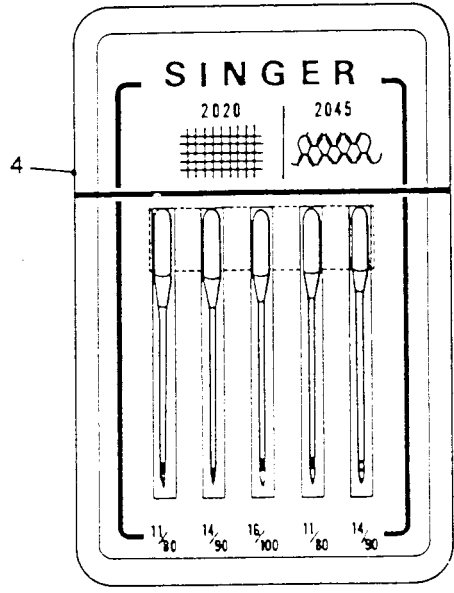
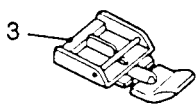
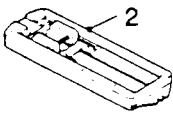
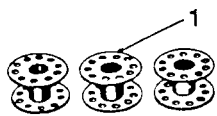


Specific Parts—②



INDEX NO.	PART NO.	REF NO.	PART NAME	QTY	MODEL NO.		NOTE	
1.	174951	1351017-113	Arm Panel	1			○	
	174952	1361007-113	Arm Panel	1			○	
2.	174955	1331027-179	Top Cover Inside Panel	1			○	
3.	175007	1390018-836	Power Supply Plate	1			○	
4.	175056	1351009-157	Nomenclature Plate	1			○	
	175057	1361009-157	Nomenclature Plate	1			○	
5.	174954	1351007-178	Drop Regulating Panel	1			○	
6.	175182	50501	Rivet	1			○	

# 8. Accessories



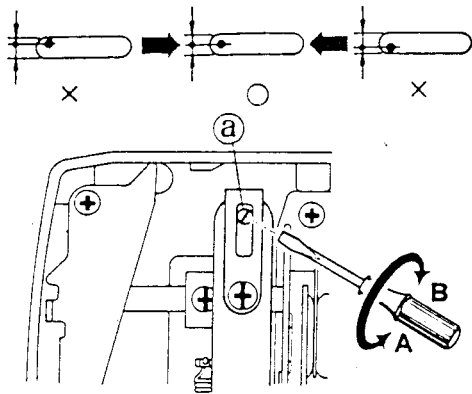
is c  
(2, 192 Ag. marks)

INDEX NO.	PART NO.	REF NO.	PART NAME	QTY	MODEL NO.		NOTE		
1.	174769	710003-520	Bobbin	3			0	0	
2.	174682	150002-390	Button Hole Sewing Foot	1			0	0	
3.	174678	950002-360	Zipper Foot	1			0	0	
4.	<del>174690</del>	1350002-480	Needle #14 Set	1			0	0	
5.	174631	719001-364	Screw Driver -S-	1			0	0	
<del>6.</del>	<del>174630</del>	<del>719001-363</del>	<del>Screw Driver -L-</del>	<del>1</del>			<del>0</del>	<del>0</del>	
7.	174633	719001-368	Oiler	1			0	0	
8.	174677	950002-355	Quilting Guide	1			0	0	
9.	174632	719001-367	Ripper	1			0	0	
<del>10.</del>	<del>174639</del>	<del>850001-513</del>	<del>Needle Plate Driver</del>	<del>1</del>			<del>0</del>	<del>0</del>	
11.	174666	1350002-198	Spool Guide (L) <i>Spool C.A.S. 1 i 74666</i>	1			0	0	
12.	174663	1350002-188	Spool Guide (M) <i>Spool C.A.S. 1</i>	1			0	0	
13.	174703	1150002-381	Button Sewing Foot <i>i 74703</i>	1			0	0	
14.	174707	150022-350	Roll Hemming Foot	1			0	0	
15.	174705	1350002-180	Spool Pin (Second)	1			0	0	



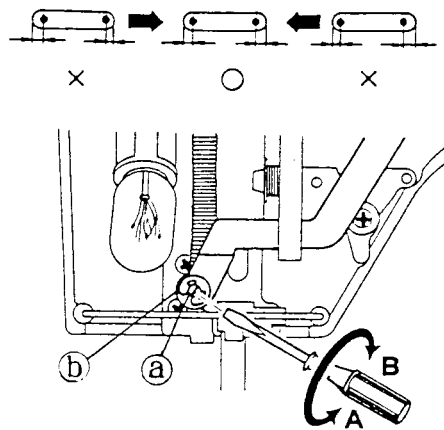
## 9. Service Manual

### 1. NEEDLE POSITION FOR STRAIGHT SEWING



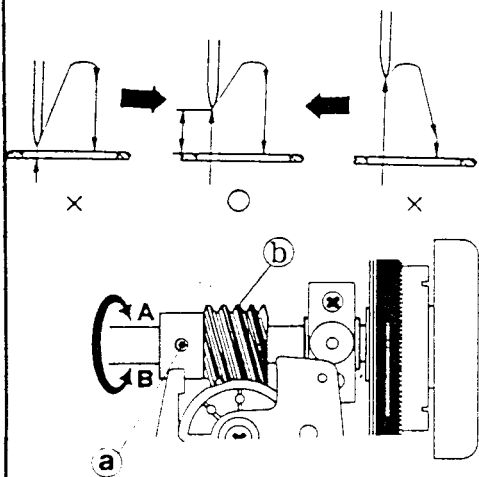
Adjust eccentric Pin (a) in A or B direction.

### 2. NEEDLE POSITION FOR ZIGZAG SEWING



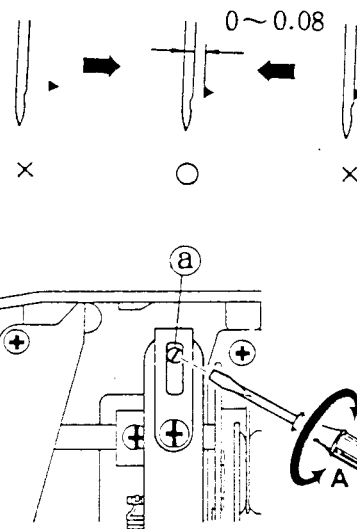
- 1) Loosen screw (b) .
- 2) Adjust eccentric Pin (a) in A or B direction.
- 3) Tighten screw (b) .

### 3. LATERAL MOTION OF THE NEEDLE BAR.



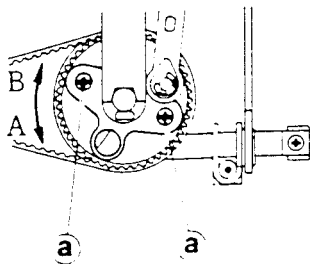
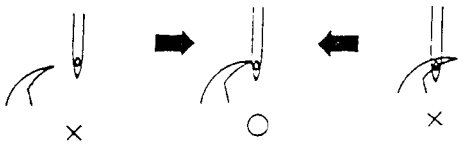
- 1) Loosen Screw (a)
- 2) Hold Worm gear (b)
- 3) Turn balance wheel in the required direction, referring to the diagram.
- 4) Check backlash after adjusting.
- 5) Tighten screw (a)

### 4. NEEDLE AND HOOK CLEARANCE.



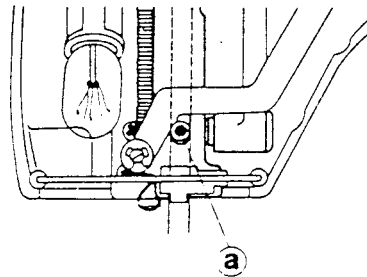
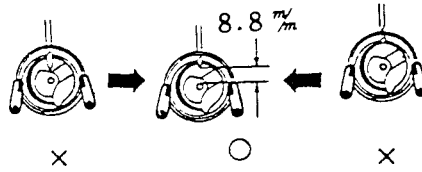
Adjust eccentric Pin (a) in A or B direction.

### 5. NEEDLE AND HOOK TIMING



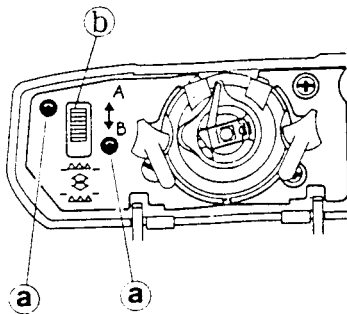
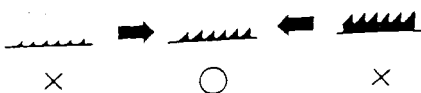
- 1) Raise the needle bar  $2.1 \pm 0.2$  mm from its lowest position.
- 2) Loosen set Screw (a) of crank gear (L).
- 3) Turn crank gear (L) in A or B direction to match the centre of the needle and the point of the hook.
- 4) Tighten screw a of crank gear (L).

### 6. NEEDLE BAR HEIGHT



- 1) The needle bar goes down to its lowest position.
- 2) Loosen screw (a) .
- 3) Adjust the needle bar in A or B direction.
- 4) Tighten screw (a) .

### 7. HEIGHT OF THE FEED DOG

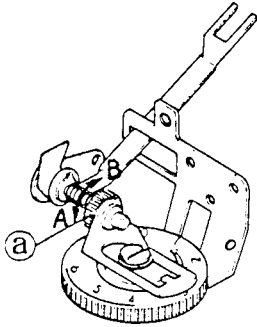


- 1) Loosen screw (a) .
- 2) Adjust the knob (b) in A or B direction.
- 3) Tighten screw (a) .

8. TENSION OF THE UPPER THREAD.



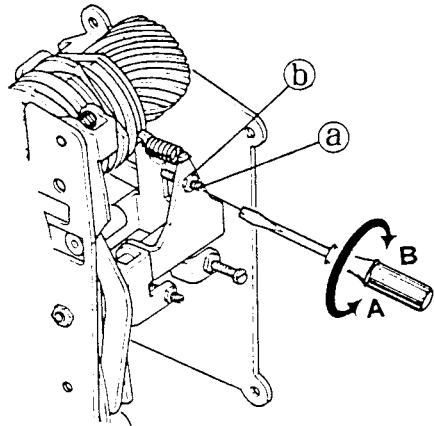
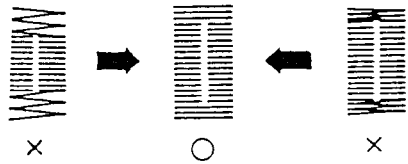
Tension: 110-140gr  
(when # 60 cotton thread used)



Adjust the nut (a) in A or B direction.

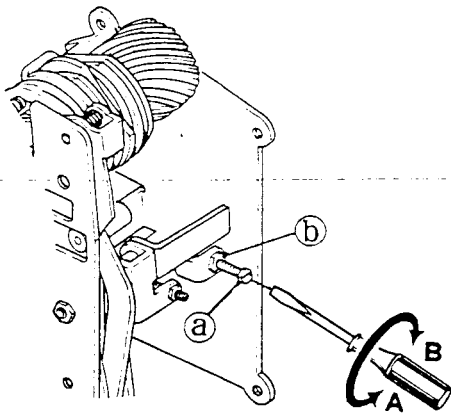
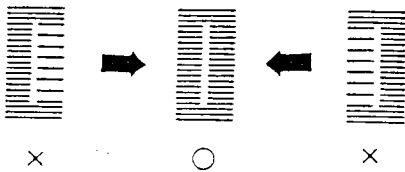
9. BAR TACK IN BUTTON HOLING.

(3D·U)



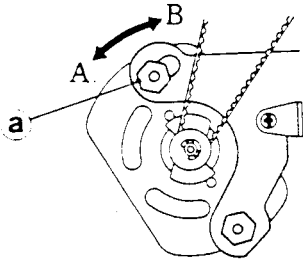
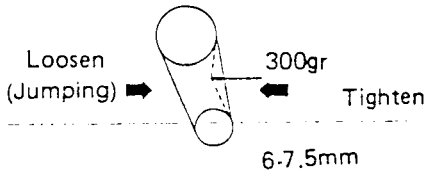
- 1) Do not touch nut (b) .
- 2) Adjust screw (a) in A or B direction.

10. STITCH LENGTH IN BUTTON HOLING.



- 1) Do not touch nut (b) .
- 2) Adjust the screw (a) in A or B direction.

## 11. MOTOR BELT TENSION.



- 1) Loosen nut (a) .
- 2) Adjust the motor in A or B direction.
- 3) Tighten nut (a) .